

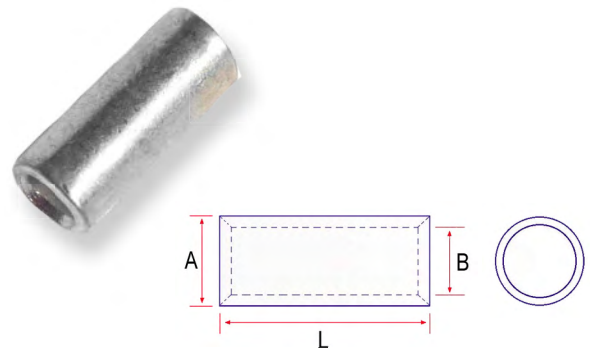
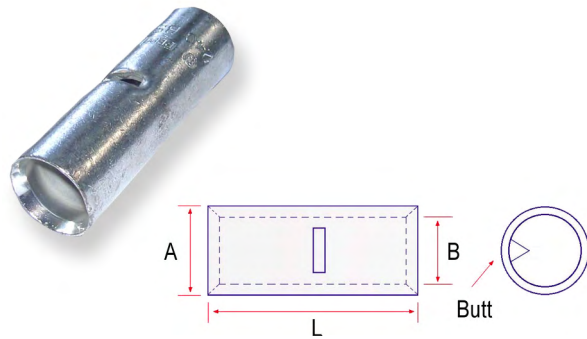
Copper Tube Splices

Application: Un-insulated heavy duty terminals suitable for power cables up to 1000 volts.

Material: Manufactured from seamless copper tube to BS EN 12449: 2012

Finish: Electro Tin plated to BS 1872:1974

- All terminals are manufactured from 99.5% copper and fully annealed to ensure optimum ductility to avoid severe deformation such as cracking and splitting when crimped
- Internal barrel diameters suit standard cables as defined in BS 6360
- All SWA terminals are identified on the palm with cable size (and stud hole size) to ensure correct selection of the appropriate tool and dies



Butt Splices

Part No.	Pack Qty	Cond. Size mm ²	Dimensions mm			
			A	B	L	
1.5BS	100	1.5	3.3	1.8	14.0	
2.5BS	100	2.5	4.2	2.3	16.0	
4BS	100	4.0	5.0	3.0	19.0	
6BS	100	6.0	6.0	4.0	22.0	
10BS	50	10	6.9	4.4	25.0	
16BS	10	16	8.0	5.6	30.0	
25BS	10	25	9.5	7.0	35.0	
35BS	10	35	11.0	8.2	39.0	
50BS	10	50	12.1	9.5	44.0	
70BS	10	70	15.0	11.5	44.0	
95BS	10	95	17.0	13.5	55.0	
120BS	10	120	19.0	15.0	63.0	
150BS	10	150	21.0	16.5	66.0	
185BS	10	185	23.0	18.5	74.0	
240BS	5	240	26.0	21.0	80.0	
300BS	5	300	28.0	23.0	89.0	
400BS	5	400	32.0	27.0	90.0	
500BS	2	500	38.1	30.0	135.0	
630BS	2	630	44.0	33.8	135.0	
800BS	-	800	49.0	38.0	135.0	POA
1000BS	-	1000	53.0	42.5	135.0	POA

For recommended tooling refer to TQ terminals

Parallel Splices

Part No.	Pack Qty	Cond. Size mm ²	Dimensions mm		
			A	B	L
10PS	50	10	6.9	4.5	13.0
16PS	10	16	7.9	5.6	13.0
25PS	10	25	9.5	7.0	15.0
35PS	10	35	11.0	8.2	16.0
50PS	10	50	12.1	9.5	18.0
70PS	10	70	15.0	11.5	24.0

For recommended tooling refer to TQ terminals
Sold in eaches